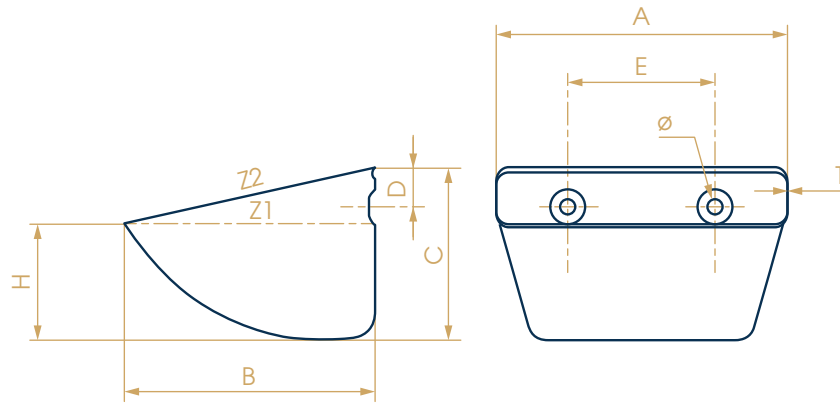


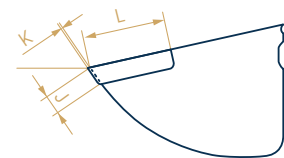


ELEVATOR BUCKET DIMENSION



A mm	B mm	C mm	H mm	D mm	T mm	RECESSED HOLES		
						Qty	Ø mm	E mm

REINFORCEMENT (if needed)			
Choose an reinforcement	J mm	K mm	L O/N
<input type="checkbox"/>			



MATERIALS:

- | | | | |
|----------------------|--------------------------|------|--------------------------|
| Steel | <input type="checkbox"/> | HDPE | <input type="checkbox"/> |
| Stainless Steel 304L | <input type="checkbox"/> | PA 6 | <input type="checkbox"/> |
| Stainless Steel 316L | <input type="checkbox"/> | PU | <input type="checkbox"/> |

ADDITIONAL COMMENTS:



STIF Z.A. de la Lande—49170 Saint-Georges-sur-Loire—FRANCE

Tél.: +33 2 41 72 16 82—Fax: +33 2 41 39 32 12—E mail: sales@stifnet.com—Web: www.stifnet.com