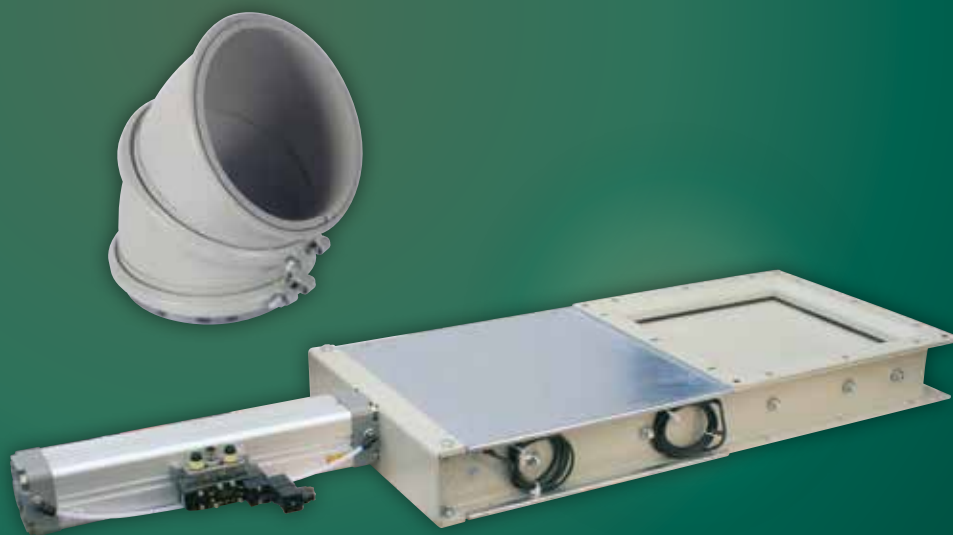


# MANUVRAC®

## TUBERÍA PESADA MODULAR

## PIPE SYSTEMS



**STIF**

componentes para su éxito

► Español

► English



DESDE 1984, STIF SE HA CREADO UNA SÓLIDA REPUTACIÓN DE ESPECIALISTA EN COMPONENTES PARA MANEJO A GRANEL Y EN ESPECIAL PARA TUBERÍAS CON TRANSPORTE POR GRAVEDAD Y ACCESORIOS PARA SILOS DE GRANOS Y DE LA ALIMENTACIÓN.

Desde muchos años STIF ha puesto en marcha las innovaciones como:

- Ajustable codo 15° & 30°
- Collar Magnelis con tuerca encastrada
- Accionamiento neumático actuador
- Válvula de diapositiva resistente al agua bajo presión
- Collar con tornillo estirón anti rotación
- Desviador Válvula 3D 2D con desmontables y tapa a prueba de polvo

SINCE 1984, STIF HAS CREATED A SOLID REPUTATION OF SPECIALIST COMPONENTS FOR BULK HANDLING AND SPECIALLY FOR PIPING FOR GRAVITY TRANSPORT AND ACCESSORIES FOR GRAIN SILOS AND FEED.

From many years STIF has launched innovations like :

- Adjustable elbow 15 & 30°
- Magnelis Collar with crimped nut
- Slide valve
- Flat window sealed, fast fixing without welding
- Pipe window sealed, fast fixing without welding
- Diverter valve 2D & 3D with removable flap



componentes para su éxito

Z.A. de la Lande — 49170 Saint-Georges-sur-Loire — FRANCE — Tél. : +33 2 41 72 16 82 — Fax : +33 2 41 39 32 12

E mail : [sales@stifnet.com](mailto:sales@stifnet.com) — Web : [www.stifnet.com](http://www.stifnet.com)

## COMPONENTES DE SISTEMAS DE TUBERÍAS PARA CEREALES COMPONENTS OF PIPE SYSTEMS FOR CEREALS

P. 4-5

- Codos, collarines y bridas
- Elbows, collars and flanges



## ACCESORIOS PESADOS DE TUBERÍA PARA CEREALES COMPONENTS OF PIPE SYSTEMS FOR CEREALS

P. 6-7

- Accesorios de conexión • Reductores • Tuberías dobles
- Connection accessories • Reducers • Double pipes



- A prueba de polvo desviador con aleta
- Controles
- Interruptores de posición

- Diverter with flap
- Controls
- Position switches

P. 8-11



- Válvula de corredera horizontal

- Horizontal slidevalve

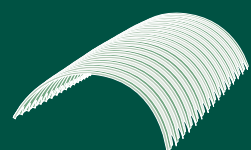
P. 12-17



## REJILLA DE VENTILACIÓN GALVANIZADA GALVANIZED VENTILATION GRIDS

P. 18-19

## TÚNELES DE VENTILACIÓN Y DRENAJE SEMI CIRCULAR DRAINING AWAY AND VENTILATION TUNNELS



**EC15** CODO 15°  
15° ELBOW

|      |      |      |      |      |    |  |  |  |  |
|------|------|------|------|------|----|--|--|--|--|
| E5   | E5   |      |      |      |    |  |  |  |  |
| D165 | D189 |      |      |      |    |  |  |  |  |
| E6   | E6   | E6   | E6   | E6   | E6 |  |  |  |  |
| D163 | D187 | D211 | D246 | D265 |    |  |  |  |  |

| Espesor del tubo<br>Pipe thickness | ø Tubo ext. / ø Outside pipe |            |            |            |            |            |            |            |            |
|------------------------------------|------------------------------|------------|------------|------------|------------|------------|------------|------------|------------|
|                                    | 160                          | 171        | 195        | 219        | 254        | 273        | 324        | 355        | 406        |
| 5                                  | E5<br>D153,5                 |            |            |            |            |            |            |            |            |
| 6                                  |                              | E6<br>D163 | E6<br>D187 | E6<br>D211 | E6<br>D246 | E6<br>D265 |            |            |            |
| 8                                  |                              |            |            |            |            | E8<br>D261 | E8<br>D312 | E8<br>D343 | E8<br>D394 |
| R                                  | 162                          | 162        | 162        | 162        | 162        | 162        | 162        | 162        | 162        |

Acabado estándar: Pintura monocapa RAL 7032  
Standard finish: One-coat paint RAL 7032

**EC30** CODO 30°  
30° ELBOW

|      |      |      |      |      |    |  |  |  |  |
|------|------|------|------|------|----|--|--|--|--|
| E5   | E5   |      |      |      |    |  |  |  |  |
| D165 | D189 |      |      |      |    |  |  |  |  |
| E6   | E6   | E6   | E6   | E6   | E6 |  |  |  |  |
| D163 | D187 | D211 | D246 | D265 |    |  |  |  |  |

| Espesor del tubo<br>Pipe thickness | ø Tubo ext. / ø Outside pipe |            |            |            |            |            |            |            |            |
|------------------------------------|------------------------------|------------|------------|------------|------------|------------|------------|------------|------------|
|                                    | 160                          | 171        | 195        | 219        | 254        | 273        | 324        | 355        | 406        |
| 5                                  | E5<br>D153,5                 |            |            |            |            |            |            |            |            |
| 6                                  |                              | E6<br>D163 | E6<br>D187 | E6<br>D211 | E6<br>D246 | E6<br>D265 |            |            |            |
| 8                                  |                              |            |            |            |            | E8<br>D261 | E8<br>D312 | E8<br>D343 | E8<br>D394 |
| R                                  | 84                           | 84         | 84         | 84         | 84         | 84         | 84         | 84         | 84         |

Acabado estándar: Pintura monocapa RAL 7032  
Standard finish: One-coat paint RAL 7032

**COL** COLLAR MAGNELIS CON NUEZ ENGARCEDA  
MAGNELIS COLLAR WITH CRIMPED NUT

2 tornillos / 2 bolts: ø 160  
1 tornillo / 1 bolt: ø 171 a / to ø 406

| ø Tubo ext.<br>ø Outside pipe | 160 | 171 | 195 | 219 | 254 | 273 | 324 | 355 | 406 |
|-------------------------------|-----|-----|-----|-----|-----|-----|-----|-----|-----|
| ø M                           | M8  | M8  | M8  | M8  | M8  | M8  | M8  | M8  | M8  |

Acabado estándar: Recubrimiento de zinc MAGNELIS  
Standard finish: Zinc cover MAGNELIS

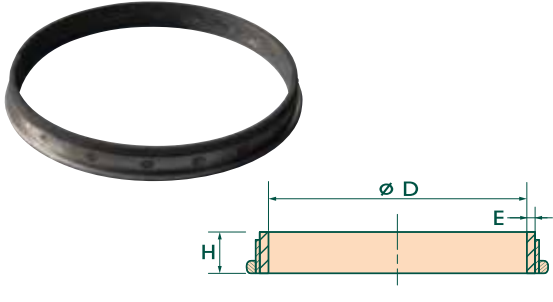
**COR** BRIDA  
FLANGE



| ø Tubo ext.<br>ø Outside pipe | 160 | 171 | 195 | 219 | 254 | 273 | 324 | 355 | 406 |
|-------------------------------|-----|-----|-----|-----|-----|-----|-----|-----|-----|
| <b>D</b>                      | 161 | 172 | 196 | 220 | 255 | 274 | 325 | 356 | 407 |
| <b>H</b>                      | 23  | 23  | 23  | 23  | 23  | 23  | 23  | 23  | 23  |
| <b>E</b>                      | 2   | 2   | 2   | 2   | 2   | 2   | 2   | 2   | 2   |

Acabado estándar: Crudo  
Standard finish: No painted

**EDEE** CONECTOR DE EXTREMO  
BRIDAS DE ENTRADA GRUESA  
THICK INLET FLANGED END CONNECTOR



| ø Tubo ext.<br>ø Outside pipe | 160 | 171 | 195 | 219 | 254 | 273 | 324 | 355 | 406 |
|-------------------------------|-----|-----|-----|-----|-----|-----|-----|-----|-----|
| <b>D</b>                      | 155 | 165 | 189 | 211 | 246 | 265 | 316 | 348 | 401 |
| <b>H</b>                      | 30  | 30  | 30  | 30  | 30  | 30  | 30  | 30  | 30  |
| <b>E</b>                      | 5   | 5   | 5   | 6   | 6   | 6   | 6   | 6   | 6   |

Acabado estándar: Crudo  
Standard finish: No painted

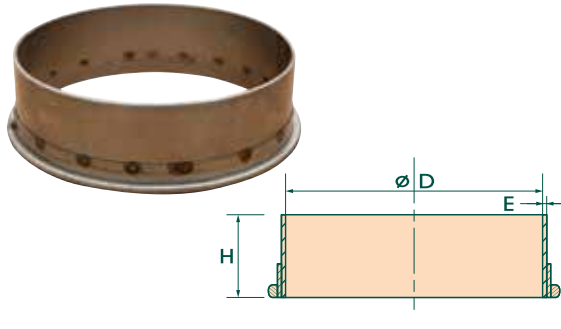
**EDES** CONECTOR DE EXTREMO  
DE BRIDAS DE SALIDA GRUESA  
THICK OUTLET FLANGED END CONNECTOR



| ø Tubo ext.<br>ø Outside pipe | 160 | 171 | 195 | 219 | 254 | 273 | 324 | 355 | 406 |
|-------------------------------|-----|-----|-----|-----|-----|-----|-----|-----|-----|
| <b>D</b>                      | 155 | 163 | 187 | 211 | 246 | 261 | 312 | 344 | 396 |
| <b>H</b>                      | 30  | 30  | 30  | 30  | 30  | 30  | 30  | 30  | 30  |
| <b>E</b>                      | 5   | 6   | 6   | 6   | 6   | 8   | 8   | 8   | 8   |

Acabado estándar: Crudo  
Standard finish: No painted

**EDH** CONECTOR EXTREMO DE BRIDAS ALTO  
HIGH FLANGED END CONNECTOR



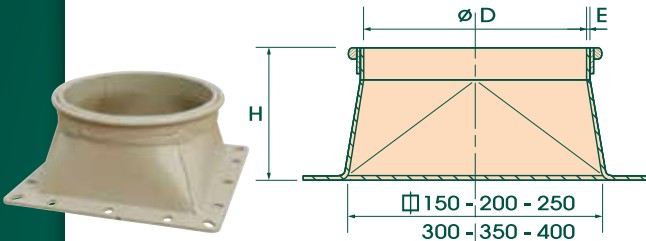
| ø Tubo ext.<br>ø Outside pipe | 160 | 171 | 195 | 219 | 254 | 273 | 324 | 355 | 406 |
|-------------------------------|-----|-----|-----|-----|-----|-----|-----|-----|-----|
| <b>D</b>                      | 161 | 172 | 196 | 220 | 255 | 274 | 325 | 356 | 407 |
| <b>H</b>                      | 60  | 60  | 60  | 60  | 60  | 60  | 60  | 60  | 60  |
| <b>E</b>                      | 2,5 | 2,5 | 3   | 3   | 3   | 3   | 3   | 3   | 3   |

Acabado estándar: Crudo  
Standard finish: No painted

**TD**

**TOLVA RECTA ESTÁNDAR**  
STANDARD STRAIGHT HOPPER

- Con marco estándar de perforación
- With standard frame drilling



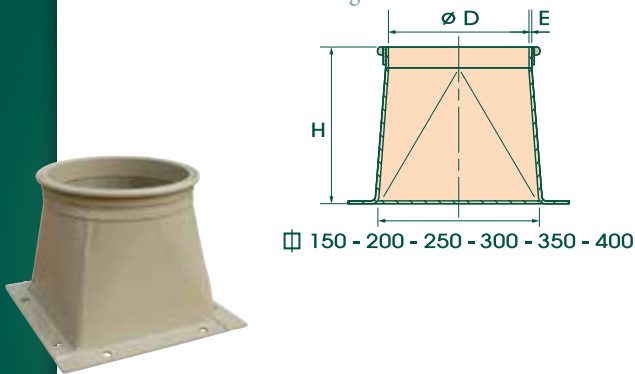
| ø Tubo ext.<br>ø Outside pipe | 160   | 171 | 195 | 219 | 254 | 273 | 324 | 355 | 406 |
|-------------------------------|-------|-----|-----|-----|-----|-----|-----|-----|-----|
| <b>D</b>                      | 155   | 165 | 189 | 214 | 250 | 268 | 318 | 348 | 402 |
| <b>H</b>                      | Ø 150 | 100 |     |     |     |     |     |     |     |
|                               | Ø 200 | 100 | 100 | 110 | 120 | 130 |     |     |     |
|                               | Ø 250 |     |     | 110 | 130 | 130 | 120 |     |     |
|                               | Ø 300 |     |     |     |     | 130 | 140 | 155 |     |
|                               | Ø 350 |     |     |     |     |     |     | 155 | 180 |
| Ø 400                         |       |     |     |     |     |     |     |     | 205 |
| <b>E</b>                      | 3     | 3   | 4   | 4   | 4   | 4   | 4   | 5   | 5   |

Acabado estándar: pintura monocapa RAL 7032  
Standard finish: One-coat paint RAL 7032

**TH**

**TOLVA RECTA ALTA**  
TALL STRAIGHT HOPPER

- Con marco estándar de perforación
- With standard frame drilling

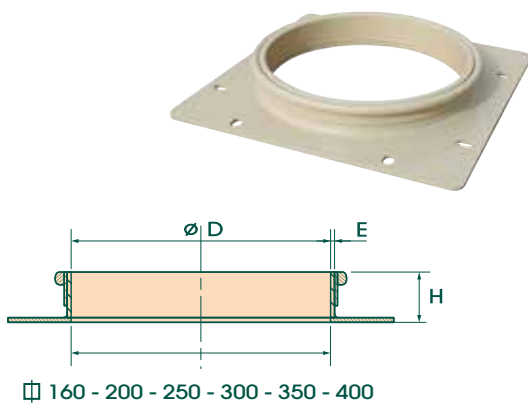


| ø Tubo ext.<br>ø Outside pipe | 160   | 171 | 195 | 219 | 254 | 273 | 324 | 355 | 406 |
|-------------------------------|-------|-----|-----|-----|-----|-----|-----|-----|-----|
| <b>D</b>                      | 155   | 165 | 189 | 214 | 250 | 268 | 318 | 348 | 402 |
| <b>H</b>                      | Ø 150 |     |     |     |     |     |     |     |     |
|                               | Ø 200 | 200 | 200 | 200 |     |     |     |     |     |
|                               | Ø 250 |     |     | 250 | 250 | 250 |     |     |     |
|                               | Ø 300 |     |     |     |     |     | 300 |     |     |
|                               | Ø 350 |     |     |     |     |     |     | 350 | 350 |
| Ø 400                         |       |     |     |     |     |     |     |     | 400 |
| <b>E</b>                      | 3     | 3   | 4   | 4   | 4   | 4   | 4   | 5   | 5   |

Acabado estándar: pintura monocapa RAL 7032  
Standard finish: One-coat paint RAL 7032

**PE**

**PLACA DE ENTRADA**  
INLET PLATE



| ø Tubo ext.<br>ø Outside pipe | 160   | 171 | 195 | 219 | 254 | 273 | 324 | 355 | 406 |
|-------------------------------|-------|-----|-----|-----|-----|-----|-----|-----|-----|
| <b>D</b>                      | 155   | 165 | 189 | 214 | 250 | 268 | 318 | 348 | 402 |
| <b>H</b>                      | Ø 160 | 34  |     |     |     |     |     |     |     |
|                               | Ø 200 | 34  | 34  | 34  | 34  |     |     |     |     |
|                               | Ø 250 |     | 34  | 34  | 34  | 34  |     |     |     |
|                               | Ø 300 |     |     |     |     |     | 34  |     |     |
|                               | Ø 350 |     |     |     |     |     |     | 34  | 34  |
| Ø 400                         |       |     |     |     |     |     |     |     | 34  |
| <b>E</b>                      | 5     | 6   | 6   | 6   | 6   | 6   | 6   | 6   | 6   |

Acabado estándar: pintura monocapa RAL 7032  
Standard finish: One-coat paint RAL 7032

| PERFORACIÓN ESTÁNDAR EN EL MARCO<br>STANDARD FRAME DRILLING |  | 150     | 200     | 250     | 300     | 350     | 400     |
|---|--|---------|---------|---------|---------|---------|---------|
| <b>D</b>  |  | 151x151 | 201x201 | 251x251 | 301x301 | 351x351 | 401x401 |
| <b>P</b>  |  | 216x216 | 266x266 | 316x316 | 390x390 | 440x440 | 490x490 |
| <b>A</b>  |  | 95x95   | 140x140 | 190x190 | 220x220 | 280x280 | 320x320 |
| <b>B</b>  |  | 186x186 | 236x236 | 286x286 | 350x350 | 400x400 | 450x450 |
| <b>N</b>  |  | 8       | 8       | 12      | 12      | 12      | 12      |
| <b>øF</b>   |  | 9       | 9       | 9       | 11      | 11      | 11      |

Acabado estándar: pintura monocapa RAL 7032  
Standard finish: One-coat paint RAL 7032

| CDA<br>CONDUCTO DOBLE ASIMÉTRICO 30° O 45°<br>30° OR 45° ASYMMETRICAL DOUBLE PIPE |  | ø Tubo ext.<br>ø Outside pipe | 160 | 171 | 195 | 219 | 254 | 273 | 324 | 355 | 406 |
|---|--|-------------------------------|-----|-----|-----|-----|-----|-----|-----|-----|-----|
| <b>D</b>  |  |                               | 154 | 165 | 187 | 211 | 246 | 265 | 316 | 347 | 398 |
| <b>H 45°</b>  |  |                               | 355 | 370 | 405 | 440 | 490 | 520 | 590 | 635 | 710 |
| <b>H 30°</b>  |  |                               | 450 | 470 | 525 | 570 | 636 | 675 | 770 | 831 | 917 |
| <b>C 45°</b>  |  |                               | 83  | 85  | 90  | 95  | 100 | 105 | 115 | 120 | 130 |
| <b>C 30°</b>  |  |                               | 72  | 73  | 75  | 82  | 86  | 87  | 94  | 96  | 100 |
| <b>E</b>  |  |                               | 3   | 3   | 4   | 4   | 4   | 4   | 4   | 4   | 4   |

Acabado estándar: pintura monocapa RAL 7032  
Standard finish: One-coat paint RAL 7032

| REGISTROS DE OBERTURA<br>INSPECTION DOORS  |   |  |
|--|---|--|
| <b>TAPÓN DE VISITA METÁLICO</b><br>METALLIC INSPECTION LID<br><b>REFERENCIA</b><br><b>REFERENCE</b><br><b>BM</b> | <b>PLEXIGLÁS PARA ABRIR</b><br>PUERTO DE INSPECCIÓN<br>PLEXIGLAS OPENING<br>INSPECTION DOOR<br><b>REFERENCIA</b><br><b>REFERENCE</b><br><b>RO</b> | <b>REGISTRO DE ABERTURA HERMÉTICO</b><br>PARA INSTALAR EN TUBO<br>DUSTPROOF INSPECTION DOOR TO BE<br>INSTALLED ON TUBE<br><b>REFERENCIA</b><br><b>REFERENCE</b><br><b>PM</b> |
|  |   |  |
| REFERENCIA / REFERENCE   | REFERENCIA / REFERENCE  | REFERENCIA / REFERENCE   |
| BM 150 0 4 Acero galvanizado / Galvanized steel<br>BM 150 0 5 Inox / Stainless steel                             | RO 150 0 4 Acero galvanizado / Galvanized steel<br>RO 150 0 5 Inox / Stainless steel  | PM 150... 0 1 Acero pintado / Steel metal with primer protection<br>PM 150... 0 4 Acero galvanizado / Galvanized steel<br>PM 150... 0 5 Acero inoxidable / Stainless steel   |
| Acabado estándar: pintura monocapa RAL 7032<br>Standard finish: One-coat paint RAL 7032                          |   |  |

# CAJA DESVIADORA

## FLAP DIVERTER

MANUVRAC®

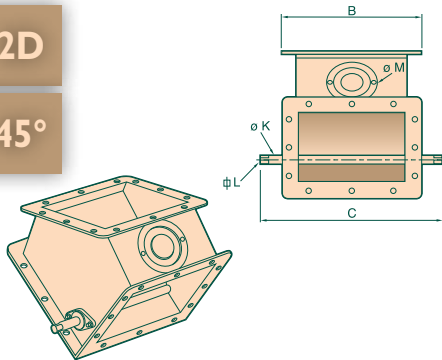
SIMÉTRICO 2 VÍAS 45° - 60°  
45° - 60° SYMMETRICAL 2 WAY

HZ o ATEX Zona 21  
Non ATEX or ATEX Zone 21

GRANULOMETRIA / PARTICLE SIZE  
>0,5mm

2D

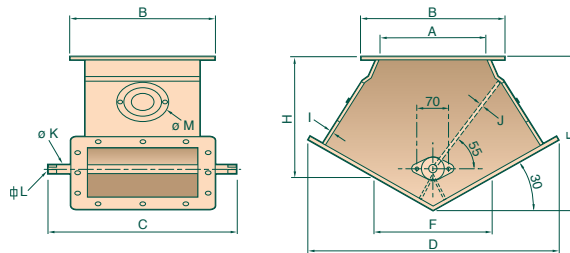
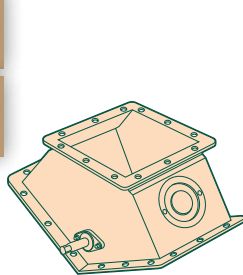
45°



| □mm | Amm | Bmm | Cmm | Dmm | Emm | Fmm | Hmm | Imm | Jmm | Kmm | Lmm | Mmm |
|-----|-----|-----|-----|-----|-----|-----|-----|-----|-----|-----|-----|-----|
| 150 | 155 | 216 | 312 | 306 | 207 | 153 | 131 | 3   | 8   | 20  | 17  | 100 |
| 200 | 200 | 266 | 362 | 376 | 291 | 188 | 197 | 3   | 8   | 20  | 17  | 100 |
| 250 | 250 | 316 | 412 | 448 | 337 | 224 | 225 | 4   | 8   | 20  | 17  | 100 |
| 300 | 300 | 390 | 462 | 552 | 403 | 276 | 265 | 4   | 8   | 20  | 17  | 100 |
| 350 | 350 | 440 | 512 | 622 | 457 | 316 | 302 | 5   | 8   | 20  | 17  | 150 |
| 400 | 400 | 490 | 600 | 694 | 499 | 347 | 326 | 5   | 8   | 30  | 22  | 150 |
| 450 | 450 | 540 | 650 | 764 | 547 | 382 | 356 | 5   | 8   | 30  | 22  | 150 |

2D

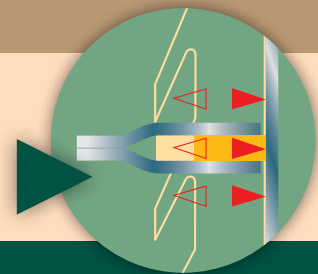
60°



| □mm | Amm | Bmm | Cmm | Dmm | Emm | Fmm | Hmm | Imm | Jmm | Kmm | Lmm | Mmm |
|-----|-----|-----|-----|-----|-----|-----|-----|-----|-----|-----|-----|-----|
| 150 | 155 | 216 | 312 | 374 | 240 | 187 | 186 | 3   | 8   | 20  | 17  | 100 |
| 200 | 200 | 266 | 362 | 461 | 291 | 231 | 225 | 3   | 8   | 20  | 17  | 100 |
| 250 | 250 | 316 | 412 | 548 | 337 | 274 | 258 | 4   | 8   | 20  | 17  | 100 |
| 300 | 300 | 390 | 462 | 676 | 403 | 338 | 306 | 4   | 8   | 20  | 17  | 100 |
| 350 | 350 | 440 | 512 | 762 | 457 | 381 | 347 | 5   | 8   | 20  | 17  | 150 |
| 400 | 400 | 490 | 600 | 849 | 499 | 425 | 377 | 5   | 8   | 30  | 22  | 150 |
| 450 | 450 | 540 | 650 | 936 | 547 | 468 | 412 | 5   | 8   | 30  | 22  | 150 |

### CARACTERÍSTICAS TÉCNICAS / TECHNICAL DATA

- Acabado estándar: pintura monocapa RAL 7032  
Standard finish: one-coat paint RAL 7032
- Eje instalado con rodamiento de bolas  
Shaft installed with ball bearing
- Tapa de inspección de acero galvanizado  
Galvanized steel inspection lid
- Válvula desmontable con hermeticidad a presión constante con junta dinámica de alta resistencia  
Flap that can be dismantled with permanent pressure dustproofness by high resistance dynamic gasket



Opciones: Metalización - Versión de acero inoxidable - Válvula antiabrasión  
Options: Metallization - Stainless steel version - anti-abrasion flap



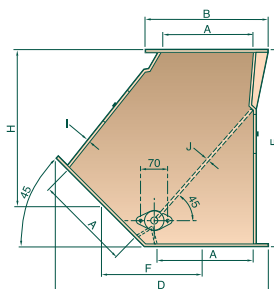
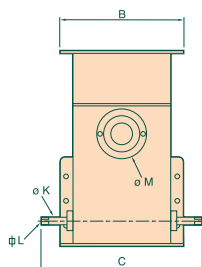
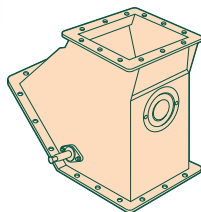
ASIMÉTRICO 2 VÍAS 45° - 60°  
45° - 60° A SYMMETRIC 2 WAY

HZ o ATEX Zona 2I  
Non ATEX or ATEX Zone 2I

GRANULOMETRIA / PARTICLE SIZE  
>0,5mm

2D

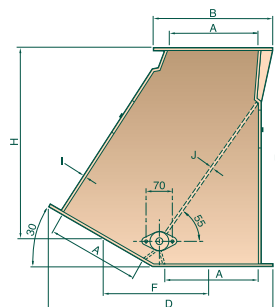
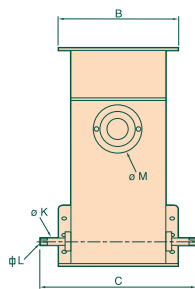
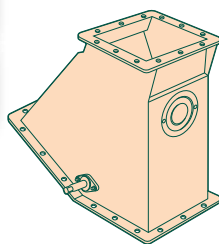
45°



| □mm | Amm | Bmm | Cmm | Dmm | Emm | Fmm | Hmm | Imm | Jmm | Kmm | Lmm | Mmm |
|-----|-----|-----|-----|-----|-----|-----|-----|-----|-----|-----|-----|-----|
| 150 | 155 | 216 | 312 | 369 | 325 | 185 | 249 | 3   | 8   | 20  | 17  | 100 |
| 200 | 200 | 266 | 362 | 459 | 400 | 227 | 306 | 3   | 8   | 20  | 17  | 100 |
| 250 | 250 | 316 | 412 | 540 | 500 | 270 | 389 | 4   | 8   | 20  | 17  | 100 |
| 300 | 300 | 390 | 462 | 666 | 550 | 333 | 413 | 4   | 8   | 20  | 17  | 100 |
| 350 | 350 | 440 | 512 | 751 | 650 | 376 | 495 | 5   | 8   | 20  | 17  | 150 |
| 400 | 400 | 490 | 600 | 837 | 750 | 419 | 577 | 5   | 8   | 30  | 22  | 150 |
| 450 | 450 | 540 | 650 | 922 | 820 | 461 | 630 | 5   | 8   | 30  | 22  | 150 |

2D

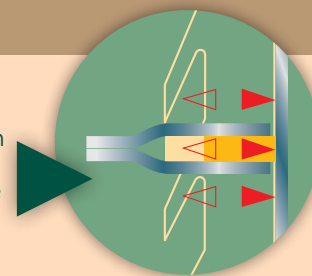
60°



| □mm | Amm | Bmm | Cmm | Dmm  | Emm | Fmm | Hmm | Imm | Jmm | Kmm | Lmm | Mmm |
|-----|-----|-----|-----|------|-----|-----|-----|-----|-----|-----|-----|-----|
| 150 | 155 | 216 | 312 | 403  | 375 | 202 | 326 | 3   | 8   | 20  | 17  | 100 |
| 200 | 200 | 266 | 362 | 497  | 500 | 249 | 434 | 3   | 8   | 20  | 17  | 100 |
| 250 | 250 | 316 | 412 | 590  | 580 | 295 | 501 | 4   | 8   | 20  | 17  | 100 |
| 300 | 300 | 390 | 462 | 728  | 700 | 364 | 603 | 4   | 8   | 20  | 17  | 100 |
| 350 | 350 | 440 | 512 | 821  | 790 | 411 | 680 | 5   | 8   | 20  | 17  | 150 |
| 400 | 400 | 490 | 600 | 915  | 860 | 458 | 738 | 5   | 8   | 30  | 22  | 150 |
| 450 | 450 | 540 | 650 | 1008 | 940 | 504 | 805 | 5   | 8   | 30  | 22  | 150 |

CARACTERÍSTICAS TÉCNICAS / TECHNICAL DATA

- Acabado estándar: pintura monocapa RAL 7032  
Standard finish: one-coat paint RAL 7032
- Eje instalado con rodamiento de bolas  
Shaft installed with ball bearing
- Tapa de inspección de acero galvanizado  
Galvanized steel inspection lid
- Válvula desmontable con hermeticidad a presión constante con junta dinámica de alta resistencia  
Flap that can be dismantled with permanent pressure dustproofness by high resistance dynamic gasket



# CAJA DESVIADORA

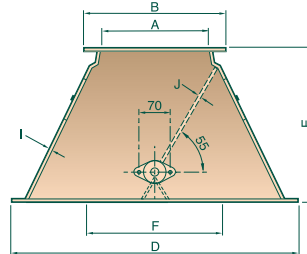
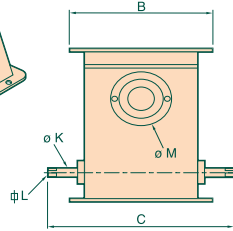
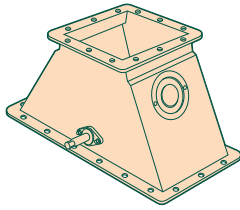
## FLAP DIVERTER

MANUVRAC®

CAJA 2 DIRECCIONES PLANA  
FLAT 2 WAY DIVERTER

**HZ o ATEX Zona 21**  
Non ATEX or ATEX Zone 21

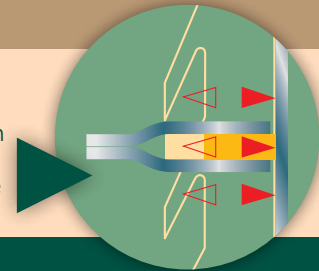
GRANULOMETRIA / PARTICLE SIZE  
>0,5mm



| □mm | Amm | Bmm | Cmm | Dmm  | Emm | Fmm | Imm | Jmm | Kmm | Lmm | Mmm |
|-----|-----|-----|-----|------|-----|-----|-----|-----|-----|-----|-----|
| 150 | 155 | 216 | 312 | 432  | 207 | 216 | 3   | 8   | 20  | 17  | 100 |
| 200 | 200 | 266 | 362 | 532  | 291 | 266 | 3   | 8   | 20  | 17  | 100 |
| 250 | 250 | 316 | 412 | 632  | 337 | 316 | 4   | 8   | 20  | 17  | 100 |
| 300 | 300 | 390 | 462 | 780  | 403 | 390 | 4   | 8   | 20  | 17  | 100 |
| 350 | 350 | 440 | 512 | 880  | 457 | 440 | 5   | 8   | 20  | 17  | 150 |
| 400 | 400 | 490 | 600 | 980  | 499 | 490 | 5   | 8   | 30  | 22  | 150 |
| 450 | 450 | 540 | 650 | 1080 | 547 | 540 | 5   | 8   | 30  | 22  | 150 |

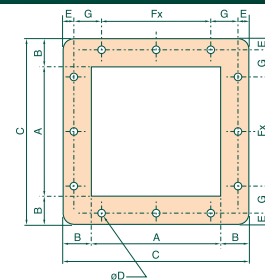
### CARACTERISTICAS TECNICAS / TECHNICAL DATA

- Acabado estándar: pintura monocapa RAL 7032  
Standard finish: one-coat paint RAL 7032
- Eje instalado con rodamiento de bolas  
Shaft installed with ball bearing
- Tapa de inspección de acero galvanizado  
Galvanized steel inspection lid
- Válvula desmontable con hermeticidad a presión constante con junta dinámica de alta resistencia  
Flap that can be dismantled with permanent pressure dustproofness by high resistance dynamic gasket



Opciones: Metalización - Versión de acero inoxidable - Válvula antiabrasión  
Options: Metallization - Stainless steel version - anti-abrasion flap

### MARCOS FRAMES



| □mm | Amm | Bmm | Cmm | Dmm | Emm | Fmm   | Gmm  |
|-----|-----|-----|-----|-----|-----|-------|------|
| 150 | 155 | 33  | 216 | 9   | 15  | 95    | 45,5 |
| 200 | 200 |     | 266 |     |     | 140   | 48   |
| 250 | 250 |     | 316 |     |     | 2x95  | 48   |
| 300 | 300 | 45  | 390 | 11  | 20  | 2x110 | 65   |
| 350 | 350 |     | 440 |     |     | 2x140 | 60   |
| 400 | 400 |     | 490 |     |     | 2x160 | 65   |
| 450 | 450 |     | 540 |     |     | 2x180 | 70   |

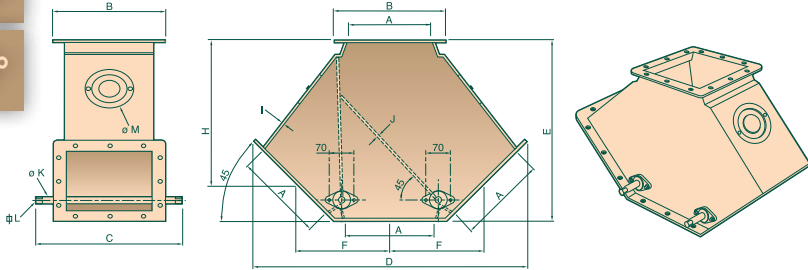
CAJA 3 DIRECCIONES SIMÉTRICA 45° - 60°  
45° - 60° SYMMETRICAL THREE WAYS DIVERTER

**HZ o ATEX Zone 21**  
Non ATEX or ATEX Zone 21

GRANULOMETRIA / PARTICLE SIZE  
>0,5mm

3D

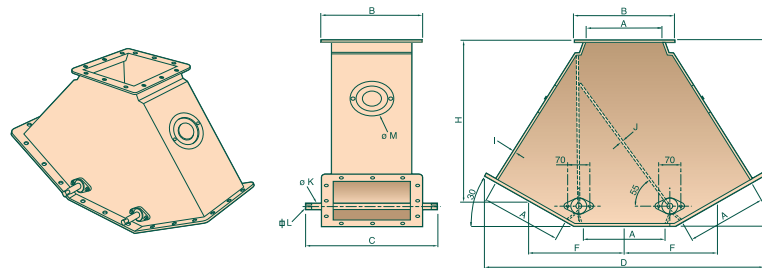
45°



| □mm | Amm | Bmm | Cmm | Dmm  | Emm | Fmm | Hmm | Imm | Jmm | Kmm | Lmm | Mmm |
|-----|-----|-----|-----|------|-----|-----|-----|-----|-----|-----|-----|-----|
| 150 | 155 | 216 | 312 | 522  | 325 | 185 | 249 | 3   | 8   | 20  | 17  | 100 |
| 200 | 200 | 266 | 362 | 642  | 400 | 227 | 306 | 3   | 8   | 20  | 17  | 100 |
| 250 | 250 | 316 | 412 | 764  | 500 | 270 | 389 | 4   | 8   | 20  | 17  | 100 |
| 300 | 300 | 390 | 462 | 942  | 550 | 330 | 413 | 4   | 8   | 20  | 17  | 100 |
| 350 | 350 | 440 | 512 | 1062 | 650 | 376 | 495 | 5   | 8   | 20  | 17  | 150 |
| 400 | 400 | 490 | 600 | 1184 | 750 | 419 | 577 | 5   | 8   | 30  | 22  | 150 |
| 450 | 450 | 540 | 650 | 1304 | 820 | 461 | 630 | 5   | 8   | 30  | 22  | 150 |

3D

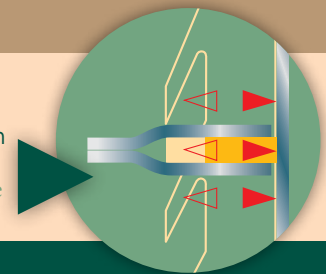
60°



| □mm | Amm | Bmm | Cmm | Dmm  | Emm | Fmm | Hmm | Imm | Jmm | Kmm | Lmm | Mmm |
|-----|-----|-----|-----|------|-----|-----|-----|-----|-----|-----|-----|-----|
| 150 | 155 | 216 | 312 | 590  | 380 | 202 | 326 | 3   | 8   | 20  | 17  | 100 |
| 200 | 200 | 266 | 362 | 728  | 500 | 249 | 434 | 3   | 8   | 20  | 17  | 100 |
| 250 | 250 | 316 | 412 | 864  | 580 | 295 | 501 | 4   | 8   | 20  | 17  | 100 |
| 300 | 300 | 390 | 462 | 1066 | 700 | 364 | 603 | 4   | 8   | 20  | 17  | 100 |
| 350 | 350 | 440 | 512 | 1202 | 790 | 411 | 680 | 5   | 8   | 20  | 17  | 150 |
| 400 | 400 | 490 | 600 | 1340 | 860 | 458 | 738 | 5   | 8   | 30  | 22  | 150 |
| 450 | 450 | 540 | 650 | 1476 | 940 | 504 | 805 | 5   | 8   | 30  | 22  | 150 |

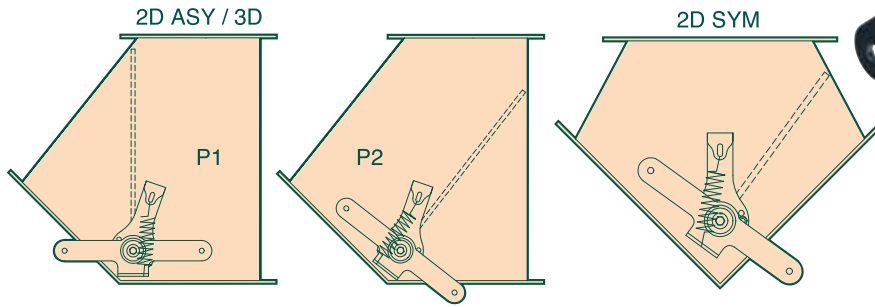
### CARACTERÍSTICAS TÉCNICAS / TECHNICAL DATA

- Acabado estándar: pintura monocapa RAL 7032  
Standard finish: one-coat paint RAL 7032
- Eje instalado con rodamiento de bolas  
Shaft installed with ball bearing
- Tapa de inspección de acero galvanizado  
Galvanized steel inspection lid
- Válvula desmontable con hermeticidad a presión constante con junta dinámica de alta resistencia  
Flap that can be dismantled with permanent pressure dustproofness by high resistance dynamic gasket



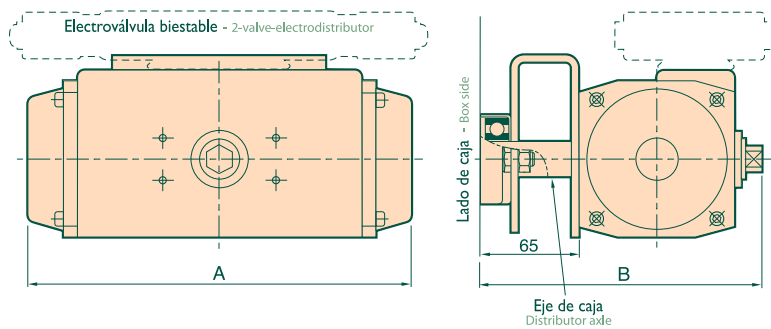
Opciones: Metalización - Versión de acero inoxidable - Válvula antiabrasión  
Options: Metallization - Stainless steel version - anti-abrasion flap

**MANDO MANUAL CON MUELLE**  
MANUAL CONTROL WITH SPRING



**MANDO NEUMÁTICO**  
PNEUMATIC DRIVE

**HZ o ATEX Zona 21**  
Non ATEX or ATEX Zone 21



| □mm | TYPE   | A mm  | B mm | Nm (5,5bar) |
|-----|--------|-------|------|-------------|
| 250 | 200 DA | 210,5 | 187  | 64          |
| 300 | 250 DA | 247,5 | 200  | 101         |
| 350 | 300 DA | 268,5 | 212  | 146         |
| 400 | 350 DA | 315   | 240  | 236         |
| 450 | 400 DA | 345   | 261  | 305         |

- Electro distribuidor con 2 válvulas
- Instrucciones de instalación NAMUR
- Tensión estándar 48V 50/60Hz

- Otra tensión: a petición
- Alimentación de aire con tubo de rislan D6/8, presión 5,5 bar

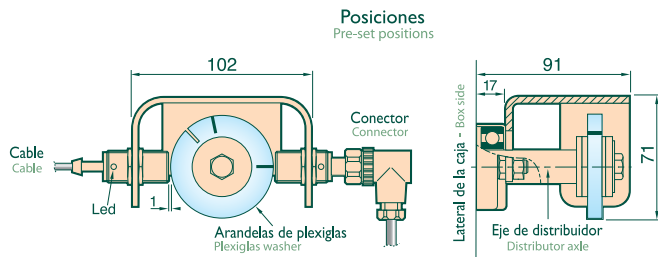
- 2-valve-electrodistribuidor
- NAMUR installation sketch
- Standard voltage 48V 50/60Hz

- Other voltage upon request
- Air intake rislan tube D6/8, pressure 5,5 bar

INSTALADO EN LA PARTE OPUESTA DEL MANDO. NO ATEX O EN ATEX ZONA 21  
INSTALLED ON THE OPPOSITE END OF SHAFT TO THE DRIVE MECHANISM. NON ATEX OR ATEX ZONE 21

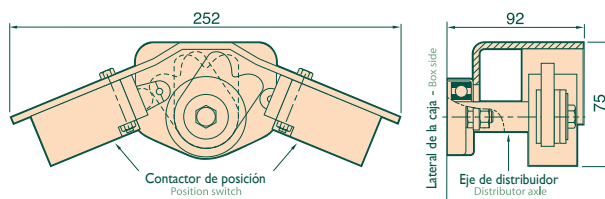
DETECTOR INDUCTIVO: Suministrado con cable o conector  
INDUCTIVE SENSOR: Supplied with cable or connector

**HZ o ATEX Zona 21**  
Non ATEX or ATEX Zone 21



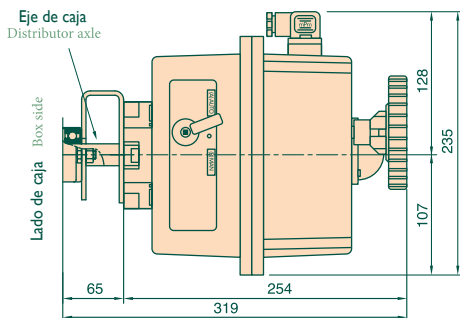
CONTACTOR MECÁNICO  
MECHANICAL SWITCH

**HZ o ATEX Zona 21**  
Non ATEX or ATEX Zone 21



ACCIONADOR ELÉCTRICO  
ELECTRIC ACTUATOR

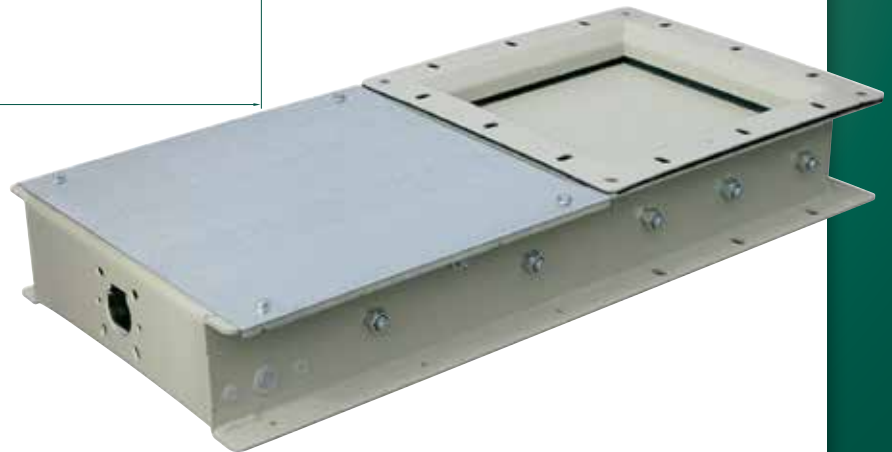
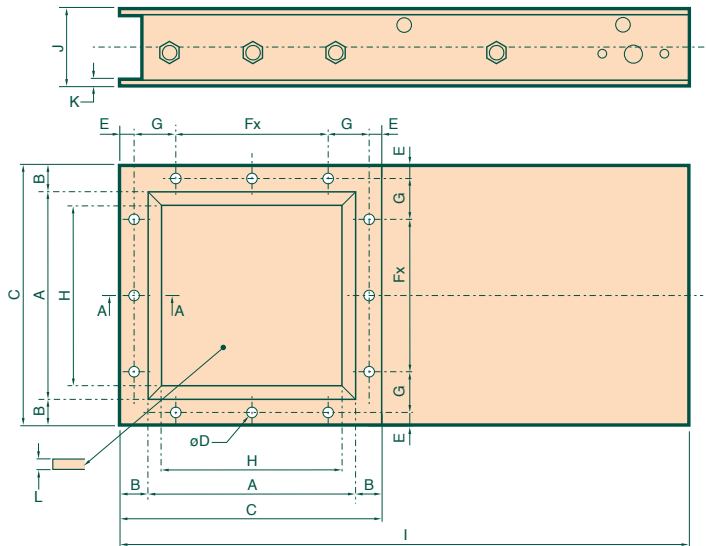
**HZ ATEX**  
Non ATEX Zone



|   |  |         |
|---|--|---------|
| □   | ≤ 300                                  | 350     |
| <b>TYPE</b> Hors ATEX                       | J2-H140                                | J2-H300 |
| <b>Par de apriete Nm / Torque Nm</b>        | 140                                    | 300     |
| <b>Tiempo de operación / Operation time</b> | 34"                                    | 58"     |
| <b>Potencia W / Power W</b>                 | 68 W                                   | 80 W    |
| <b>Tensión / Voltage</b>                    | 230V - 50/60 Hz Monofásico / Monophase |         |
| <b>Protección / Protection</b>              | IP67                                   |         |



SÓLO MARCO / FRAME ONLY



| □mm | A   | B  | C   | $\phi D$ | E  | Fx    | G    | H   | I    | J   | K | L |
|-----|-----|----|-----|----------|----|-------|------|-----|------|-----|---|---|
| 150 | 150 |    | 216 |          |    | 95    | 45,5 | 104 | 490  |     |   |   |
| 200 | 200 | 33 | 266 | 9        | 15 | 140   | 48   | 149 | 590  | 98  | 3 | 4 |
| 250 | 250 |    | 316 |          |    | 2x95  | 48   | 199 | 690  |     |   |   |
| 300 | 300 |    | 390 |          |    | 2x110 | 65   | 249 | 805  |     |   |   |
| 350 | 350 | 45 | 440 | 11       | 20 | 2x140 | 60   | 299 | 905  | 114 | 4 | 6 |
| 400 | 400 |    | 490 |          |    | 2x160 | 65   | 349 | 1025 |     |   |   |

Cuadrado de 450 y 500 bajo pedido / 450 and 500 square on request

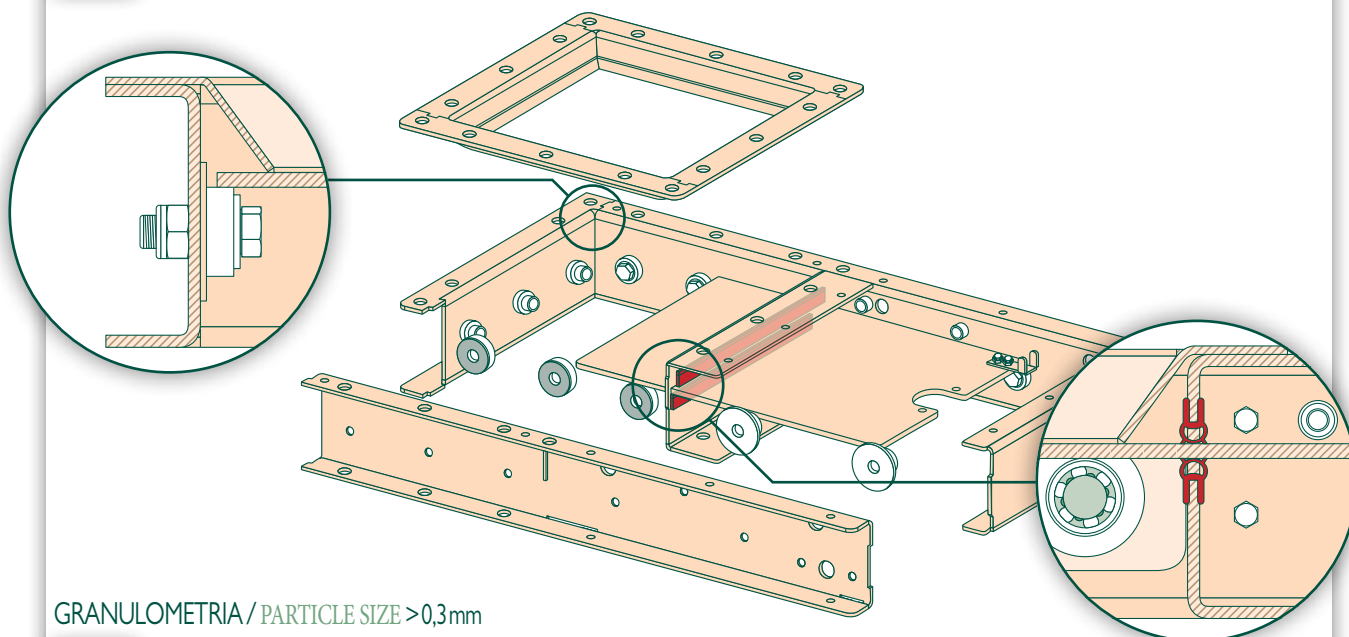
**TRAMPILLA SOBRE DESLIZADORES CON BOLAS / GATE ON BALL BEARINGS**

- Acabado estándar: Pintura monocapa RAL 7032
- Standard finish: One-coat paint RAL 7032
- Fabricación de acero inoxidable a petición
- Stainless steel production on request

GAMA / RANGE

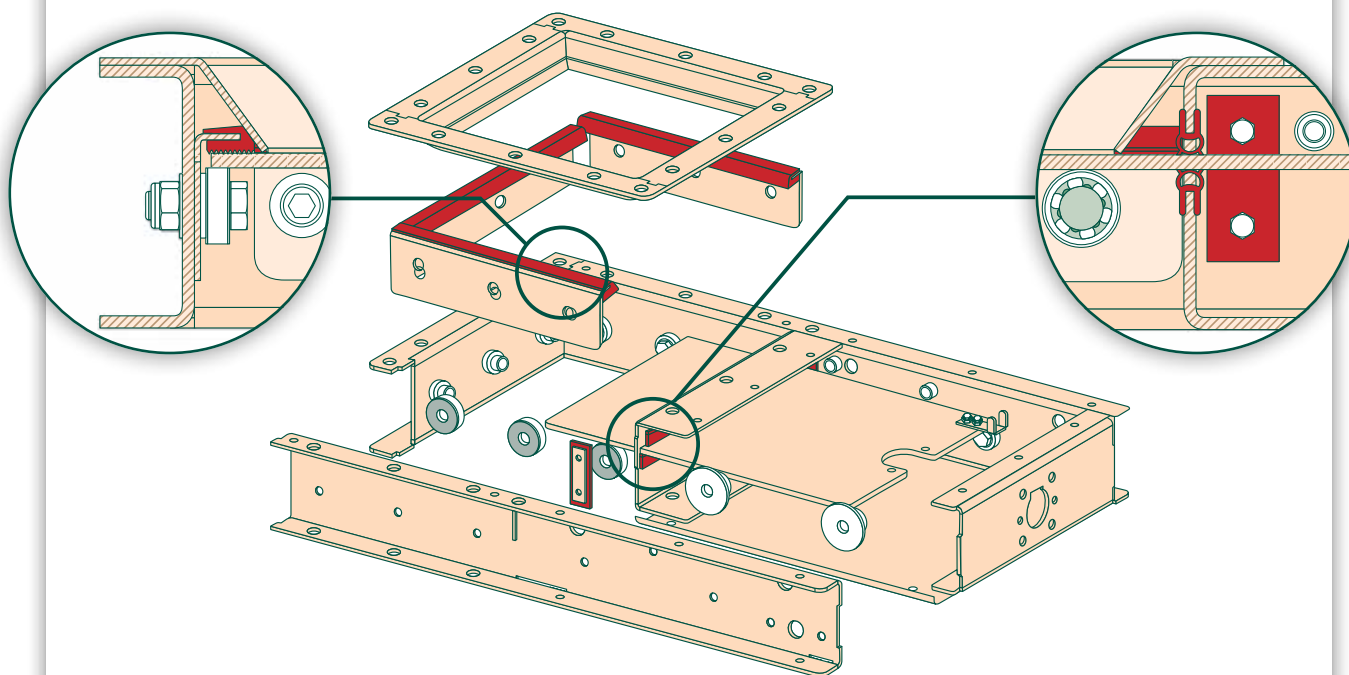
GRANULOMETRIA / PARTICLE SIZE > 1,2mm

**TGS** NBR/FDA 80°C o Silicona 200°C / or Silicone 200°C



GRANULOMETRIA / PARTICLE SIZE > 0,3mm

**TGE** NBR/FDA 80°C o Silicona 200°C / or Silicone 200°C

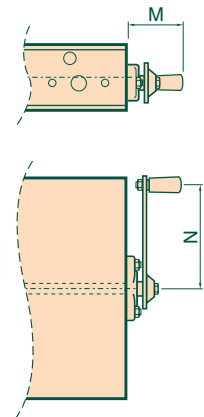
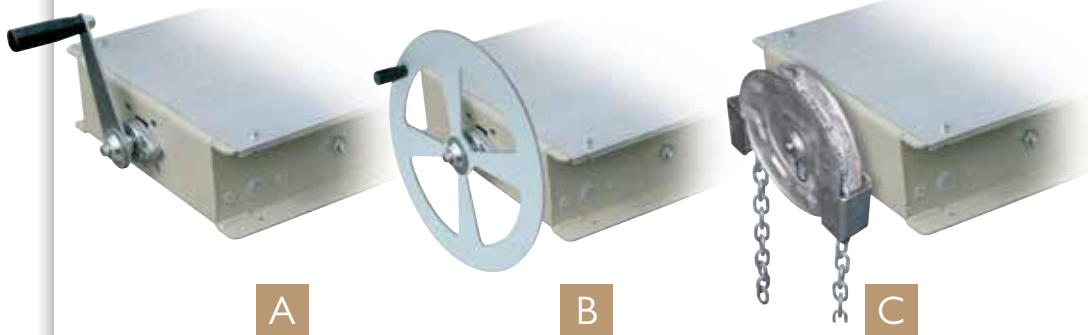


MANDOS / CONTROLS

MANDO MANUAL CON TORNILLO  
SCREW MANUAL CONTROL

- Tornillo TR20 - Paso 12 G
- **A** Manilla
- **B** Rueda de control
- **C** Rueda de cadena

- Screw TR20 - Pitch 12 L
- **A** Handle control
- **B** Wheel control
- **C** Chain wheel

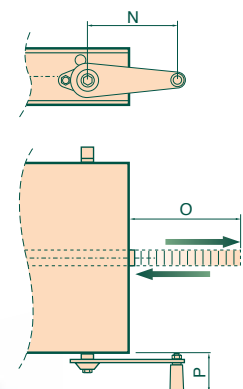


Acabado estándar: Galvanizado  
Standard finish: Galvanized

MANDO MANUAL CON CREMALLERA  
RACK MANUAL CONTROL

- Cremallera M3 por fuera del flujo del pulverulente
- Piñon 18 dientes
- **D** Manilla
- **E** Rueda de cadena
- **F** OPCIÓN: Protector de la parrilla

- M3 Rack outside of the dust flow
- 18 teeth sprocket
- **D** Handle control
- **E** Chain wheel
- **F** OPTION: Rack protector



Acabado estándar: Galvanizado  
Standard finish: Galvanized



MANDOS / CONTROLS

MANDO NEUMÁTICO  
PNEUMATIC DRIVE

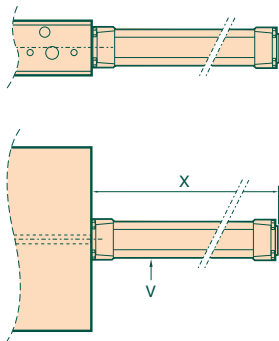
**HZ o ATEX Zona 2I**  
Non ATEX or ATEX Zone 2I

**GATO CON:**

- 2 reductores de escape
- Distribuidor 5/2-1 EV 48V AC (Otros voltajes a petición)
- Alimentación ø 6/8

**CYLINDER WITH:**

- Exhaust flow controllers
- Solenoid valve 5/2 1 EV 48V AC (Other voltage on request)
- Tubing supply ø 6/8



MANDO CON MOTO REDUCTOR  
ELECTRIC MOTOR CONTROL

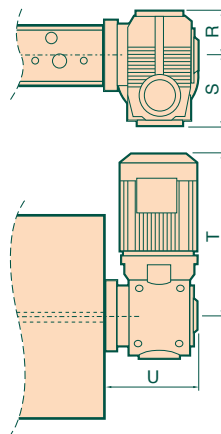
**HZ o ATEX Zona 2I**  
Non ATEX or ATEX Zone 2I

**COMMANDE PAR MOTO RÉDUCTEUR:**

- Moto reductor 0,37 kW - 137 vuelta /minuto
- Tensión TRI 230/400 V - 50 Hz IP55
- Tornillo TR20 - Pas 12G

**ELECTRIC MOTOR CONTROL:**

- 0,37 kW - 137 rpm
- Voltage TRI 230/400 V - 50 Hz IP55
- Screw TR20 - Pitch 12L



| □mm | M  | N   | O   | P  | R  | S   | T   | U   | V        | X   |
|-----|----|-----|-----|----|----|-----|-----|-----|----------|-----|
| 150 |    |     | 155 |    |    |     |     |     | ø 50x200 | 310 |
| 200 |    |     | 205 |    |    |     |     |     |          |     |
| 250 |    |     | 255 |    |    |     |     |     |          |     |
| 300 | 80 | 150 | 305 | 70 | 54 | 128 | 250 | 144 | ø 63x350 | 475 |
| 350 |    |     | 355 |    |    |     |     |     |          |     |
| 400 |    |     | 405 |    |    |     |     |     |          |     |
| 450 |    |     | 455 |    |    |     |     |     |          |     |
| 500 |    |     | 505 |    |    |     |     |     |          |     |

FINAL DE CARRERA INDUCTIVO  
END OF STROKE INDUCTIVE

**HZ o ATEX Zona 2I**  
Non ATEX or ATEX Zone 2I

**FINAL DE CARRERA INDUCTIVO/END OF STROKE INDUCTIVE:**

- Fijación en cuerpo de trampa ø 18 T 10/36 V DC / Fixed on slidevalve frame ø 18 T 10/36 V



ACCIONAMIENTO NEUMÁTICO  
PNEUMATIC DRIVE

**HZ o ATEX Zona 2I**  
Non ATEX or ATEX Zone 2I

**FINAL DE CARRERA MAGNÉTICO/END OF STROKE MAGNETIC:**

- Fijado con gato / Fixed on cylinder



## REJILLAS DE VENTILACIÓN GALVANIZADAS GALVANIZED VENTILATION GRILLES

### GVRA

REJILLA DE VENTILACIÓN MONTADA: Para paso de camiones  
ASSEMBLED VENTILATION GRILLE: To allow heavy vehicles on

### GVR:

Conjunto premontado y ensamblado de 14 rejillas  
Pre-installed and assembled set of 14 grids

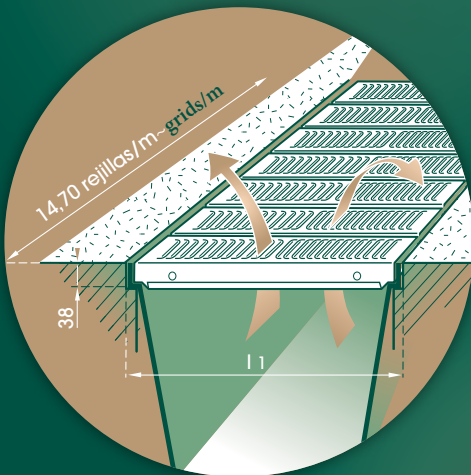
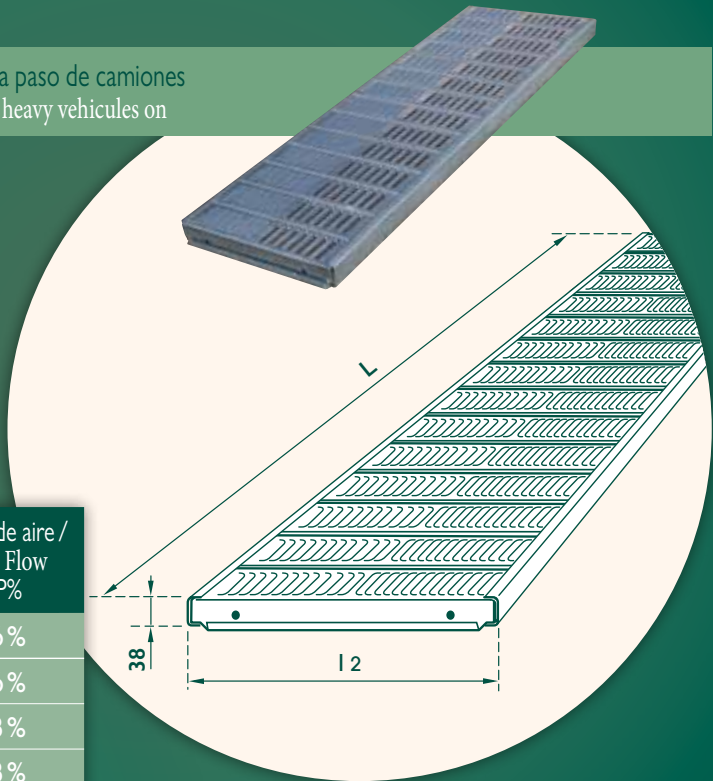
### GVB L500:

Conjunto premontado y ensamblado de 9 rejillas  
Pre-installed and assembled set of 9 grids

### GVB L1000:

Conjunto premontado y ensamblado de 18 rejillas  
Pre-installed and assembled set of 18 grids

|         | l2<br>mm | L<br>mm | Peso /<br>Masa<br>Kg | Paso de aire /<br>Air Flow<br>P% |
|---------|----------|---------|----------------------|----------------------------------|
| GVR 250 | 254      | 955     | 8,40                 | 6%                               |
| GVR 300 | 304      | 955     | 10,22                | 6%                               |
| GVB 300 | 302      | 500     | 5,90                 | 3%                               |
|         |          | 1000    | 11,80                | 3%                               |
| GVR 400 | 404      | 955     | 13,58                | 6%                               |



## APLICACIÓN

### Desglose de cereales, semillas oleaginosas:

- Trigo
- Colza, etc.

### Conservación de los alimentos:

- Papas
- Oniones, etc.

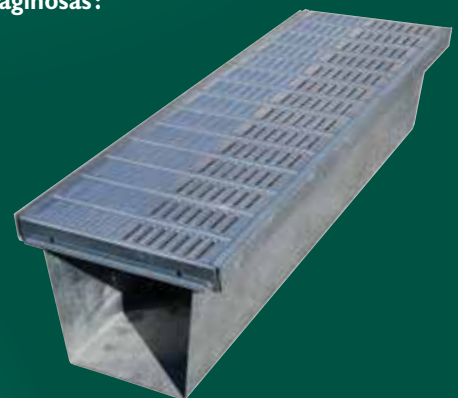
## APPLICATION

### Ventilation of cereals, oil seeds:

- Wheat
- Rapessed, etc.

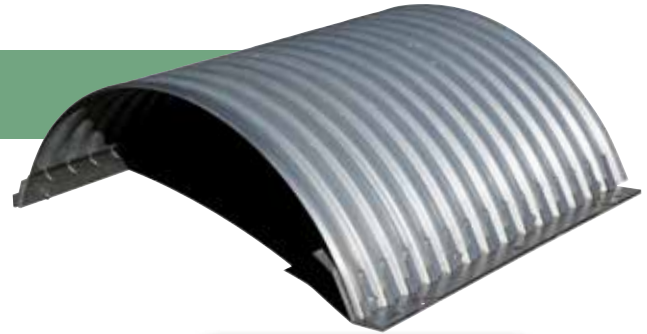
### Conservation of food products:

- Potatoes
- Onions, etc.

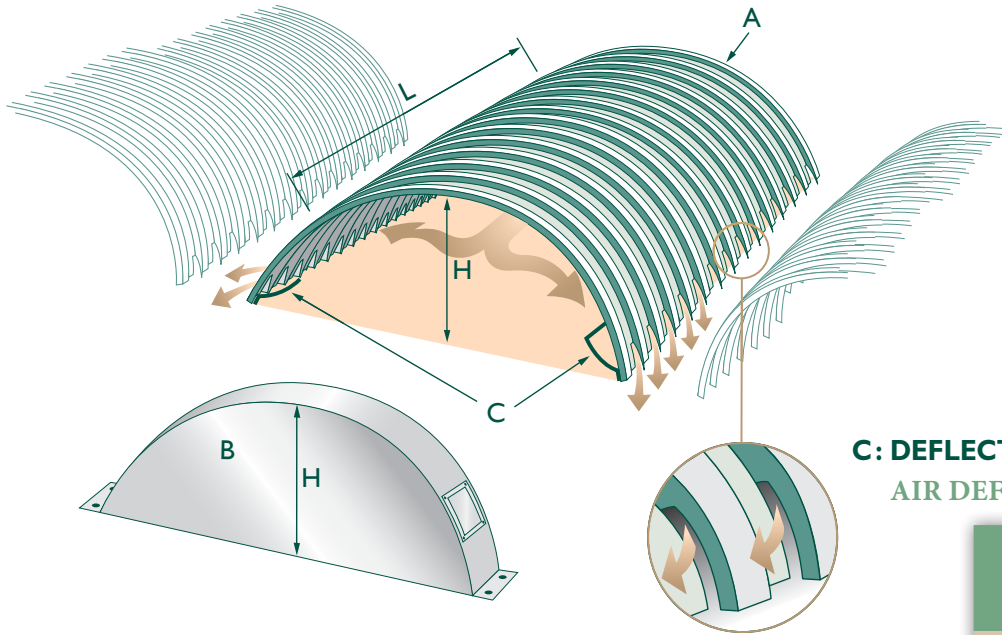


## TÚNELES DE VENTILACIÓN Y DRENAJE SEMI CIRCULAR DRAINING AWAY AND VENTILATION TUNNEL

PARA SILOS DE FONDO PLANO: Cereales, semillas oleaginosas  
FOR SILO WITH FLAT BOTTOM: Grains, oleaginous cereals



**A: TÚNEL** (Lámina galvanizada)  
TUNNEL (Galvanized sheet metal)



|    | L<br>mm | Peso /<br>Masa<br>Kg | H<br>mm |
|----|---------|----------------------|---------|
| L1 | 1058    | 20,5                 | 412     |
| L2 | 625     | 12,6                 | 412     |
| L3 | 480     | 10,0                 | 412     |

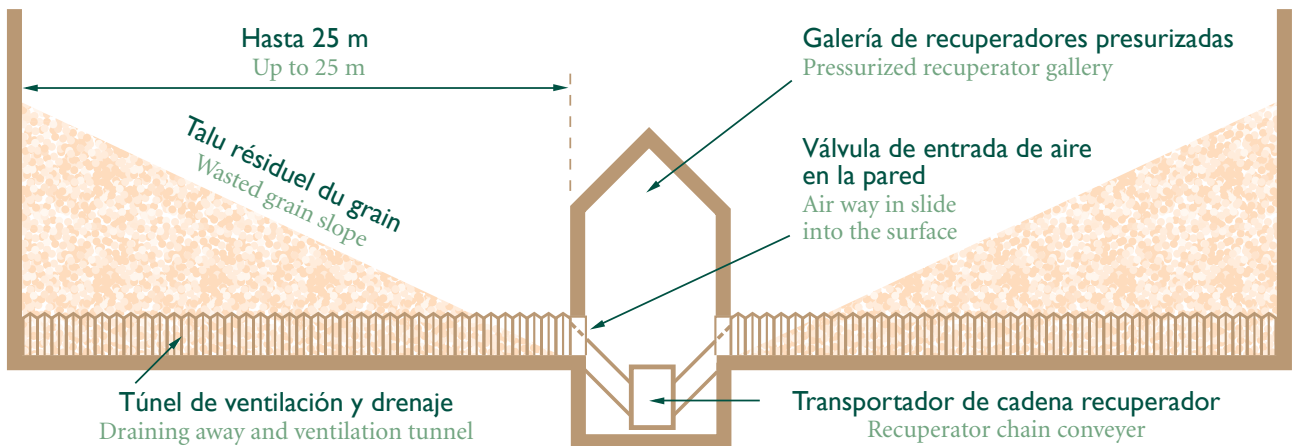
**C: DEFLECTOR DE AIRE** (Lámina galvanizada)  
AIR DEFLECTOR (Galvanized sheet metal)

| L<br>mm | Poids /<br>Masse<br>Kg |
|---------|------------------------|
| 2023    | 11,55                  |



**B: BOQUILLA DEL TÚNEL** (Lámina negra pintada)  
TUNNEL'S CAP (Black sheet + pintura)

| Peso /<br>Masa<br>Kg |
|----------------------|
| 25                   |





[www.stifnet.com](http://www.stifnet.com)

## EUROPA



### STIF (Sede Social)

#### Fábrica

Z.A. de la Lande  
49170 Saint-Georges-sur-Loire  
FRANCE  
Tél.: +33 2 41 72 16 82  
Fax: +33 2 41 39 32 12  
E mail: [sales@stifnet.com](mailto:sales@stifnet.com)  
Web: [www.stifnet.com](http://www.stifnet.com)

### STIF IBERICA

#### Oficina Comercial

Carrer Doctor Zamenhof, 22. Local  
08800 Vilanova i La Geltrú  
BARCELONA - ESPAÑA  
Tel.: +34 938 950 262  
Fax: +34 938 950 298  
E mail: [ventas@stifiberica.es](mailto:ventas@stifiberica.es)  
Web: [www.stifnet.com](http://www.stifnet.com)

### STIF EASTERN EUROPE

#### Oficina Comercial

Saltovskoe Hwy., 43,  
Letter G-3, office 303  
61038 KHARKOV  
UKRAINE  
E mail: [stifee@stifnet.com](mailto:stifee@stifnet.com)  
Web: [www.stifnet.com](http://www.stifnet.com)

### STIF DEVELOPMENT Ltd

#### Oficina Comercial

10 Trinity House  
Trinity Gardens  
Frodsham  
WA67GB –  
UNITED KINGDOM  
E mail: [info@macclancyandsons.co.uk](mailto:info@macclancyandsons.co.uk)  
Web: [www.vigilexuk.com](http://www.vigilexuk.com)

## ASIA



### STIF (SUZHOU)

#### Fábrica

Unit 7, N° 2318  
East Taihu Lake Road  
Wuzhong District, Suzhou City  
Jiangsu Province, CHINA  
Ph.: +86 512 6656 8968  
Fax: +86 512 6656 9128  
E mail: [sales@stif.cn](mailto:sales@stif.cn)  
Web: [www.stif.cn](http://www.stif.cn)

### STIF ASIA

#### Oficina Comercial

2 Jurong East St 21  
#04-28K IMM Building  
SINGAPORE 609601  
Ph.: +65 6563-2098  
Fax: +65 6562-6083  
E mail: [sales@stif.com.sg](mailto:sales@stif.com.sg)  
Web: [www.stifnet.com](http://www.stifnet.com)

### PT. STIF INDONESIA

#### Oficina Comercial

Jl. Ratna no. 1A  
BEKASI – 17412  
INDONESIA  
Ph.: +62 21 8499 6745  
Fax: +62 21 8499 5151  
E mail: [indo@stif.com.sg](mailto:indo@stif.com.sg)  
Web: [www.stifnet.com](http://www.stifnet.com)

## AMERICA

### STIF AMERICA

#### Oficina Comercial

Oficina 4-04  
Centro Empresarial – Mar del Sur  
Calle Primera El Carmen – Panamá  
Rep. de PANAMÁ  
Tel.: +507 393-3787  
Fax: +507 393-7467  
E mail: [stifamerica@stifnet.com](mailto:stifamerica@stifnet.com)  
Web: [www.stifnet.com](http://www.stifnet.com)

